

Spray medium container series 458 for graphite-free lubricants

Option
electrical pump

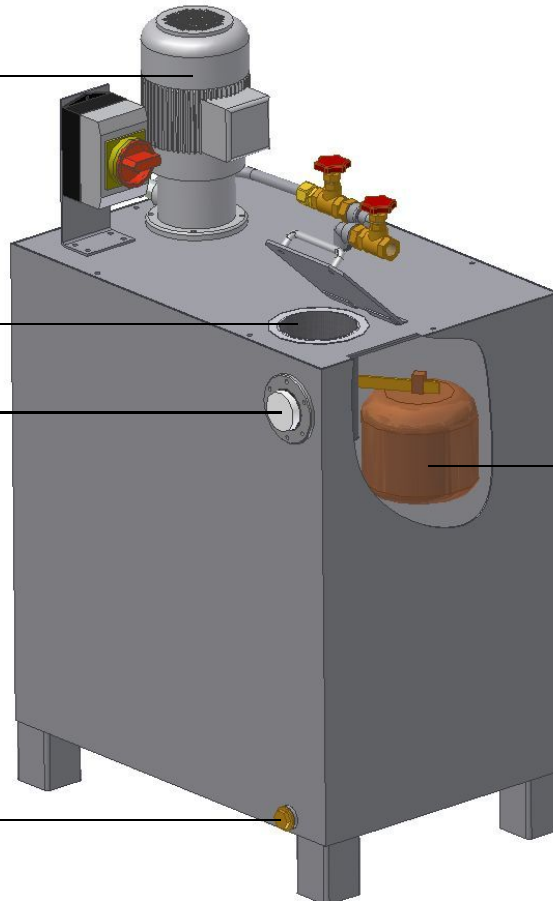
Standard version
pneumatic
membrane pump

filler
with strainer insert

Standard version
optical
level monitoring

Option
electrical
level monitoring

discharge screw



Option
float valve
for
automatic filling

Specification

material: stainless steel 2 mm

Option
automatic filling from ring line
electrical level monitoring
rinsing mechanism

lock valve for medium return

available container sizes: 30, 70 and 150 litres

**spray medium containers and dosing systems are available
for graphite-based and graphite-free lubricants**

Products DIE CASTING

Programmable complete die spray systems with 1, 2 or 3 axes

Telescopic die spray systems

Multi axis overhead spray recipricators

Fixed integrated spraying equipment

Shot tip lube dispensors

Adaptation of our sprayheads on competition die spray systems

Sprayheads on robots

Custom designed sprayheads

Spray medium containers in different sizes

Spray medium dosing and supply systems

Design and manufacture of special-purpose equipment for use in spraying