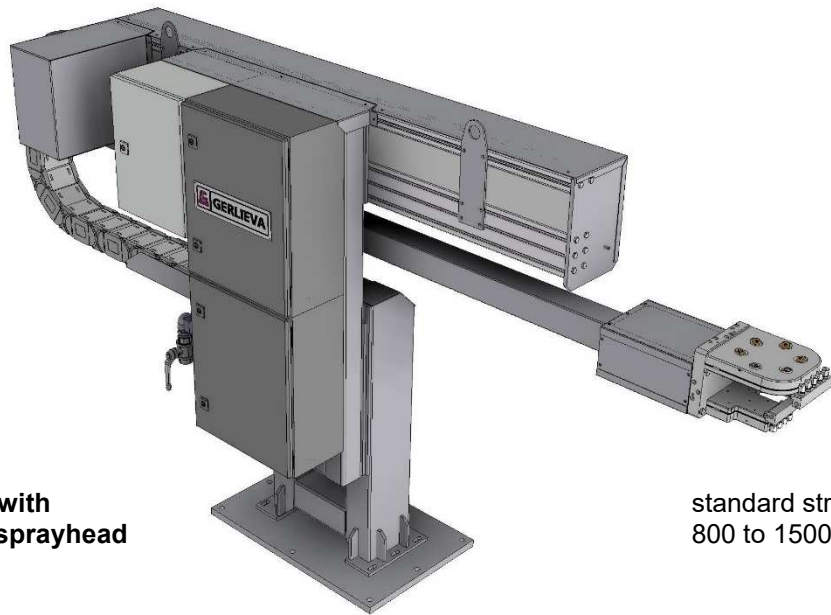


**Forging die spray systems**  
single axis with servo drive  
series 743 / GSK-L



**GSK-L 1200 with  
customized sprayhead**

standard stroke  
800 to 1500 mm

## Specification

high dynamic and high efficiency due to AC-Servo drive SIEMENS "SIMATICS"

maintenance-free and silent sprocket belt drive

linear ball bearing guides with automatic central lubrication

drive components are covered and thus completely protected from external influences

oversized supplies for spray media for optimal spray performance

use of corrosion resistant materials

use of standard components (fast spare part supply)

easily fitting each application

(e.g. time based spraying in position or feed rate based spraying on the move or both in a sequence)

user-friendly operation surface with touch panel and hard keys

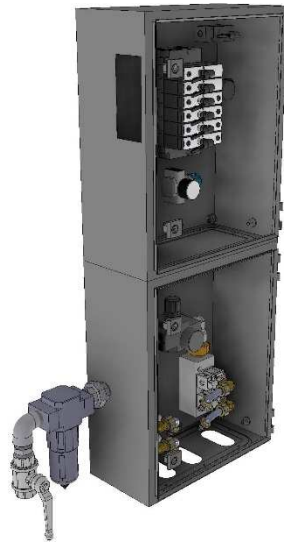
quick installation and commissioning

**GSK-L: full functionality and performance for sprayheads up to 10 kg**

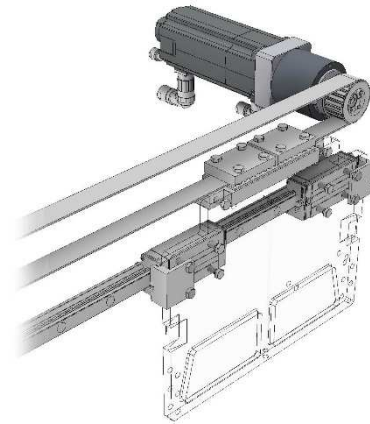
## Compact control cabinet



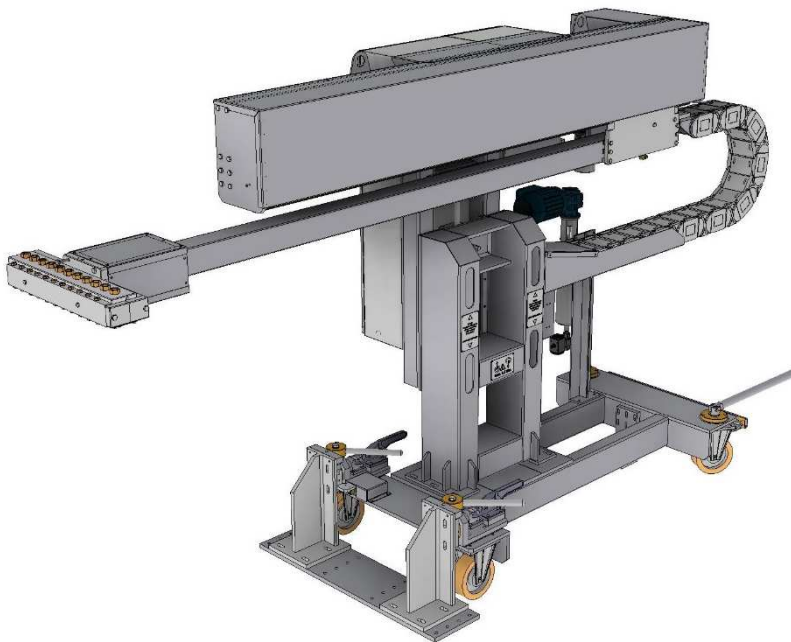
Compact control cabinet  
with cooler and operator panel  
(alternative configurations available)



Valve unit



Drive unit with servo motor,  
planetary gear, sprocket belt  
and linear ball bearing guide



GSK-L 1500 with mobile frame